

R S L

Refreshment Systems Ltd.

Cleaning Guide Vitro Espresso



Contact us

www.refreshmentsystems.co.uk

For Service:
service@refreshmentsystems.co.uk
01274 750 008

For Ingredients:
ingredients@refreshmentsystems.co.uk
01226 720 482

This cleaning guide is for **advice only**

Please refer to the operative manual for complete safety information and instruction when considering any maintenance on the machine.

DAILY HYGIENE

Cleaning (Instant & Espresso)

1.

This process should be carried out a minimum of once a day.

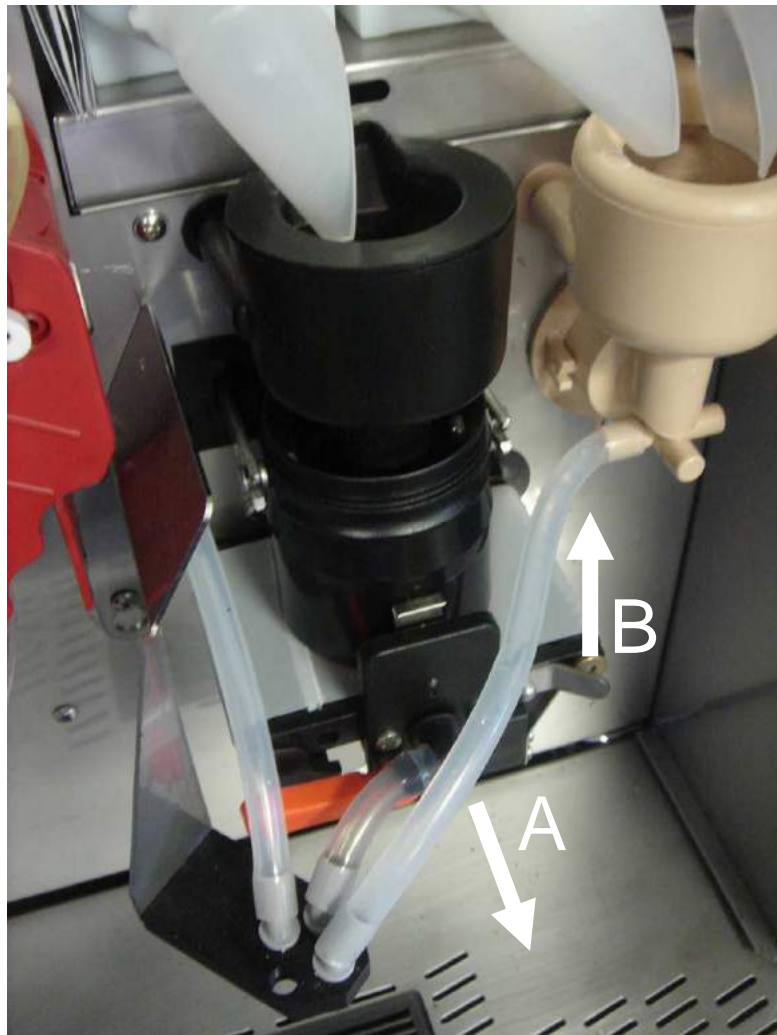
- Set the On/Off switch on the machine to ON.
- Remove the instant ingredient canisters. Wipe clean the exterior surfaces of the canister assembly. Wipe dry.
- Remove the coffee grouts bucket. Empty the contents of the bucket and wash and dry it.
- Remove the waste tray and grille. Empty the contents of the tray and wash and dry the tray and grille.
- Put a container of at least 300ml capacity under the dispensing nozzles.
- Press the FLUSH button once on the internal keypad. The screen will ask if you wish to flush the espresso system. Press ENTER for YES.
- The machine will flush warm clean water through the tea brewer, once finished the espresso group will move to a three quarter position and flush warm clean water through this into the grout bin. Finally the machine will run warm clean water through the instant bowl whilst running the whipper motor. This process will clean any residual product that has been left in any of the systems.
- Once again remove the coffee grouts bucket. Empty the contents of the bucket and wash and dry it then refit into the machine.

WEEKLY HYGIENE (DUO ONLY)

The instructions below are to be performed in conjunction with the **Cleaning (Tea)**

2.

- Remove the coffee grout bucket.
- Disconnect the tube connecting the tea brewer to the dispensing nozzle by pulling the black right-angled fitting (A) away from the brewer itself. Lift the lower carriage locking lever (B) to the vertical, (unlocked position). Remove the whole carriage assembly by pulling it gently towards the front of the machine.

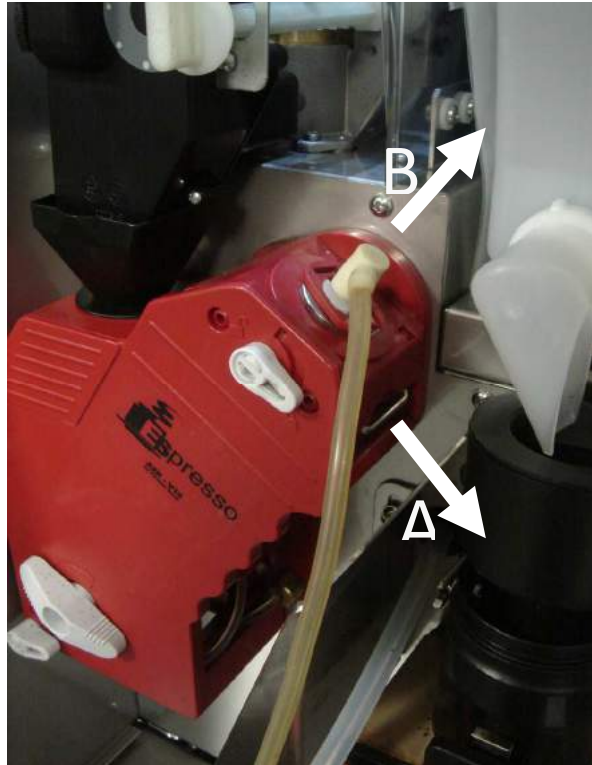


- Once the carriage is removed slide the tea chamber towards the front of the machine to remove.
- Wash and dry the carriage and tea chamber. Check the filter belt for signs of wear or damage and if necessary replace.

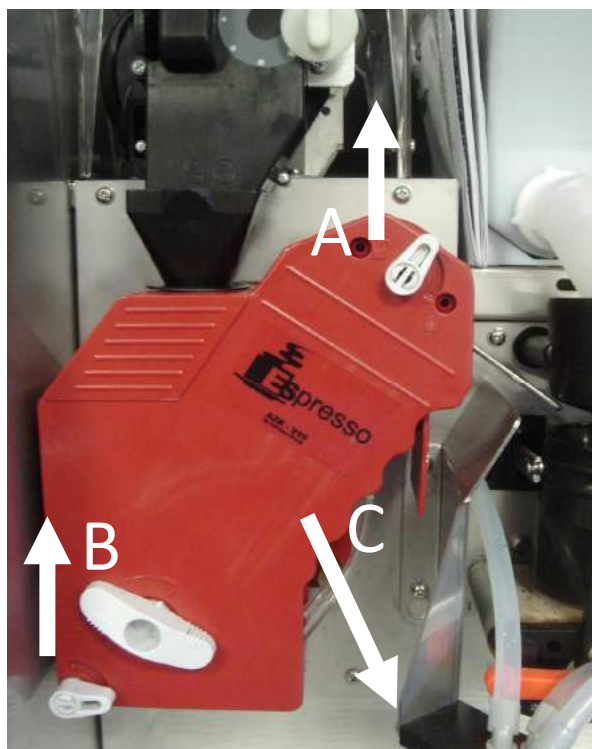
Cleaning (Espresso)

3.

- Remove the top piston from the brewer by pulling the lock (A) angled down away from the group towards the tea brewer. Once done slide the piston (B) up out of the body of the group.



- Unlock the body of the group from the machine by turning the white clips (A & B) to the unlock position (A already in unlocked position) then pull the while group towards the front of the machine to remove (C)



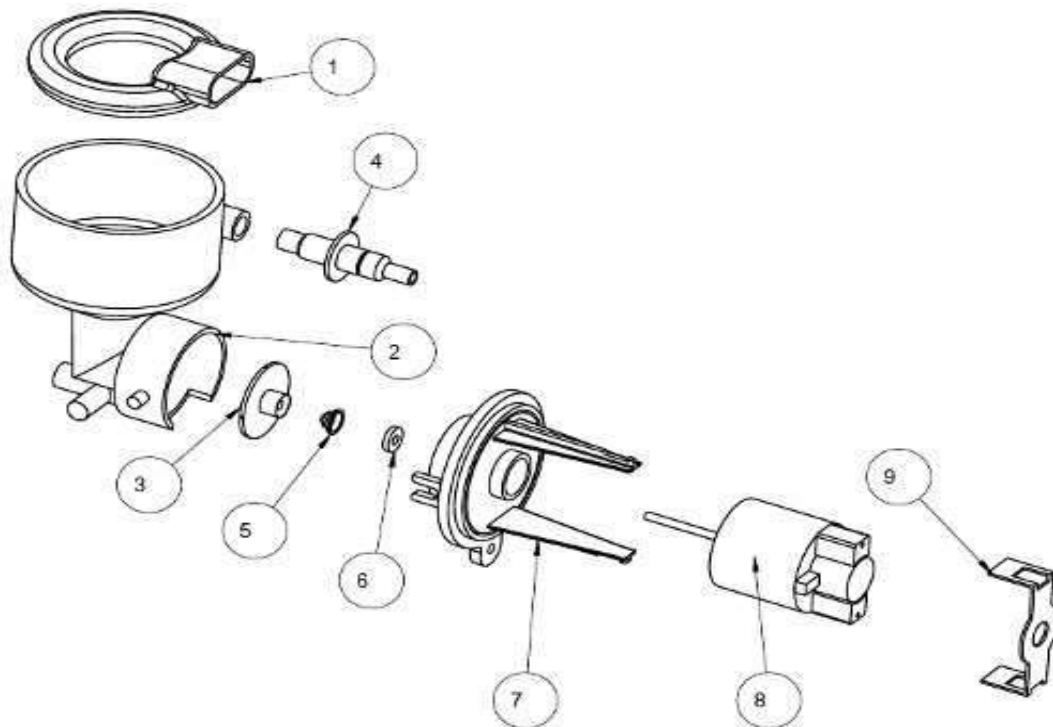
- Once the group has been removed the whole system can be cleaned with warm clean water.

Cleaning (Instant)

4.

- The ingredients should be removed from the canisters and the canisters washed and allowed to thoroughly dry, before being refilled with ingredients and restored to the machine. It is recommended that the canisters be left to dry overnight.
- The brewer filter belt should be removed and cleaned by soaking it in a suitable de-staining solution.

WARNING (1) THE UNIT MUST NOT BE CLEANED USING A WATER JET OR SPRAY.
(2) THE ENCLOSURE IS NOT WATERPROOF AND DAMAGE MAY OCCUR IF EXCESSIVE VOLUMES OF WATER ARE USED IN THE CLEANING PROCESS.



WHIPPER AND MIXING BOWL ASSEMBLY

- Set the on/off switch on the machine to off and isolate the mains electrical supply from the machine. Unlock and open the cabinet door.
- Rotate the canister nozzles then remove the ingredient canisters. Wipe clean the exterior surfaces of the canister assembly and dry thoroughly.
- Disconnect the pipes from the mixing bowls and remove the dispense nozzles from the dispense head. Wash and dry these items.

- Rotate and remove the steam trap ❶, then remove the mixing bowl/whipper housing ❷ by pulling the chamber towards yourself.
- Remove the whipper impellor ❸ by pulling toward you, the red whipper seal ❹ and the PTFE washer ❺.
- Clean all the whipper parts in hot water using the recommended sterilising agent and dry them thoroughly.
- Remove the extract chamber from the canister shelf. Wash and dry the cover.
- Clean all accessible inner and outer surfaces of the machine using a damp cloth and wipe dry.
- Replace the cleaned parts.
- Replace the ingredient canister after filling with product and rotate the canister nozzle downwards.
- Switch on the machine and set on/off switch to on.
- Flush the machine by pressing the FLUSH button on the internal door to ensure there are no leaks and everything is working correctly.
- Remove waste tray and grille and empty contents.
- Clean waste tray and grille and replace.

Filling Procedure (Instant & Tea)

5.

- Open door of machine with key provided.
- Turn ingredient chutes to ensure that product is not trailed over the counter.
- Lift out the product canister. Remove lid of canister and fill with correct ingredients to within 3cm of top of canister. Do not overfill canister or compress the product in canister.
- Wipe the exterior of the canister with a clean damp cloth using the recommended cleaning agent. Dry the canister with a clean dry cloth or paper towel.
- Return the canister to the machine. Remember to turn the ingredient chutes back to a downward facing position.
- Always ensure that the canisters are located in the correct position. The ingredient name is written on the rear of the machine to assist you.
- Check that the auger at the rear of the canister is correctly aligned with the cogs at the back of the machine.

Filling Procedure (Espresso)

6.

- Open door of machine with key provided.
- Pull the bean hopper lid lock forward towards the front of the machine.
- Lift the lid of canister and fill with correct ingredients to within 3cm of top of canister. Do not overfill canister or compress the product in canister.
- Wipe the exterior of the canister with a clean damp cloth using the recommended cleaning agent. Dry the canister with a clean dry cloth or paper towel.
- Return the canister lid to the closed position and push the canister lock back into position.
- Close the door of machine and lock with key provided.